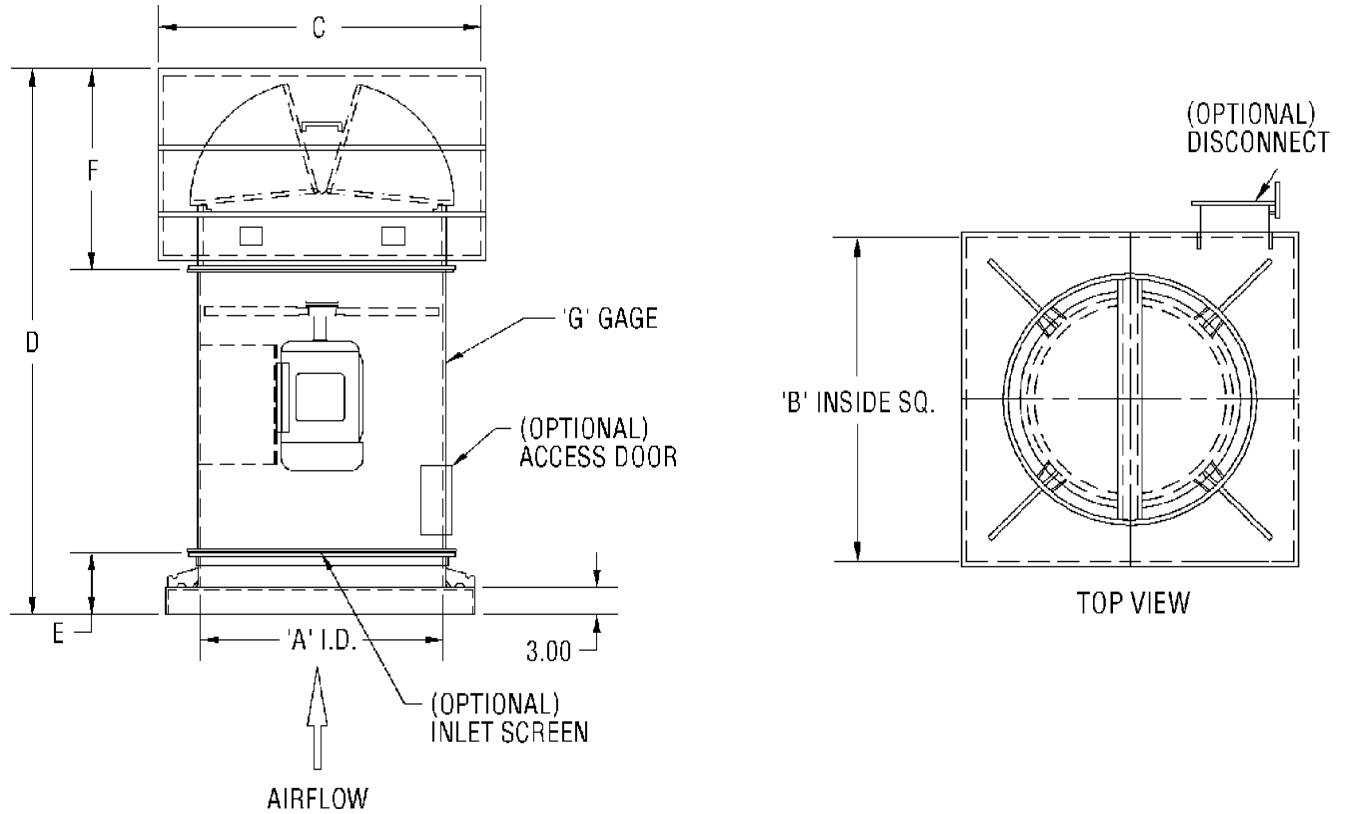


Upblast Roof Ventilator


Model TXD with curb cap and discharge cap



Dimensional Data

Size	A	B	C	D, Mtr. Frame Size									E	F	G	Unit Weight
				48-56	143-145	182-184	213-215	254-256	284-286	324-326	364-365	404-405				
012	12.19	22.00	19.88	43.10	43.10	-	-	-	-	-	-	-	4.75	20.35	14	80
015	15.19	25.00	22.88	45.60	45.60	51.60	-	-	-	-	-	-	5.25	22.35	12	130
018	18.19	28.00	26.00	47.10	47.10	53.10	53.10	-	-	-	-	-	5.75	23.35	12	160
021	21.22	31.00	29.19	49.60	49.60	55.60	55.60	-	-	-	-	-	5.75	25.85	12	200
024	24.25	34.00	32.19	57.10	57.10	57.10	57.10	63.10	-	-	-	-	6.25	26.85	12	250
027	27.28	40.00	35.28	58.10	58.10	58.10	58.10	64.10	-	-	-	-	6.25	27.85	12	350
030	30.31	42.00	38.60	-	62.10	62.10	62.10	68.10	68.10	-	-	-	6.25	31.85	12	400
032	32.34	44.00	40.42	-	64.60	64.60	64.60	70.60	70.60	-	-	-	6.75	33.85	12	450
036	36.38	48.00	44.50	-	65.10	65.10	65.10	71.10	77.10	77.10	-	-	7.25	33.85	10	600
042	42.44	54.00	50.62	-	-	69.85	75.85	75.85	81.85	81.85	-	-	8.00	37.85	10	750
048	48.50	60.00	56.68	-	-	71.35	77.35	77.35	83.35	83.35	83.35	-	8.00	39.35	10	900
054	54.56	66.00	62.75	-	-	-	-	77.35	77.35	83.35	83.35	89.35	8.25	41.35	7	1250
060	60.63	72.00	68.88	-	-	-	-	87.60	87.60	93.60	93.60	99.60	8.25	43.35	7	1500

- Notes:
1. Approximate fan weights are less motor and accessories.
 2. Units are available with 091, 097 and 098 props
 3. Dimensions should not be used for construction. Certified drawings are available upon request.

 <p>PENN BARRY™</p> <p>843 Indianapolis Avenue, Lebanon, IN 46052 Ph: 765.483.5800 email: pbtSr@pennbarry.com www.PennBarry.com</p>	<h2>Submittal Sheet</h2> <p>Model TXD with curb cap and discharge cap</p>
---	--

This drawing illustrates our understanding of order requirements. When approved, it represents details for fabrication, as such, PennBarry will not be responsible for revisions in the field or other changes after release for fabrication. Published and protected by PennBarry, Richardson, TX. All rights reserved. May not be reproduced partially or in full without permission from the publisher. No rights conveyed to manufacture partially or in full, use or sell either the method of construction represented or any invention in any way related thereto.